

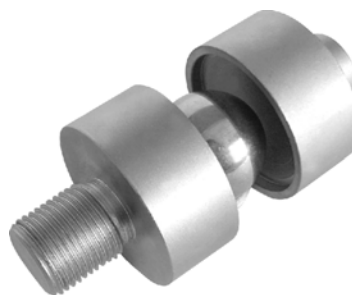
## Accessory

# BY-8-104

Capacity	Part number
0.5t-2t	BY-8-104-0.5/2t
2.5t-5t	BY-8-104-2.5/5t
1K-4KSE	BY-8-104-1/4KSE
5K-10K	BY-8-104-5/10K

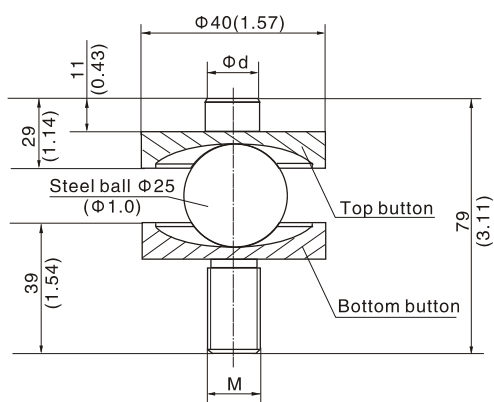
### Features:

Easy installation, good self-aligning ability, automatically centralized with steel ball.  
Stainless steel construction, anti-corrosion, can be used under hazardous environments.  
Mainly used for platform scales and other electronic weighing devices.



Stainless steel,  
Assembled with: H8C,B8D,HM8C,BM8D

### Outline Dimension mm(inch)



Dimension Capacity	Φd	M
0.5t-2t 1K-4KSE	12 (0.47)	M12 × 1.75
2.5t-5t 5K-10K	18 (0.71)	M18 × 1.5